

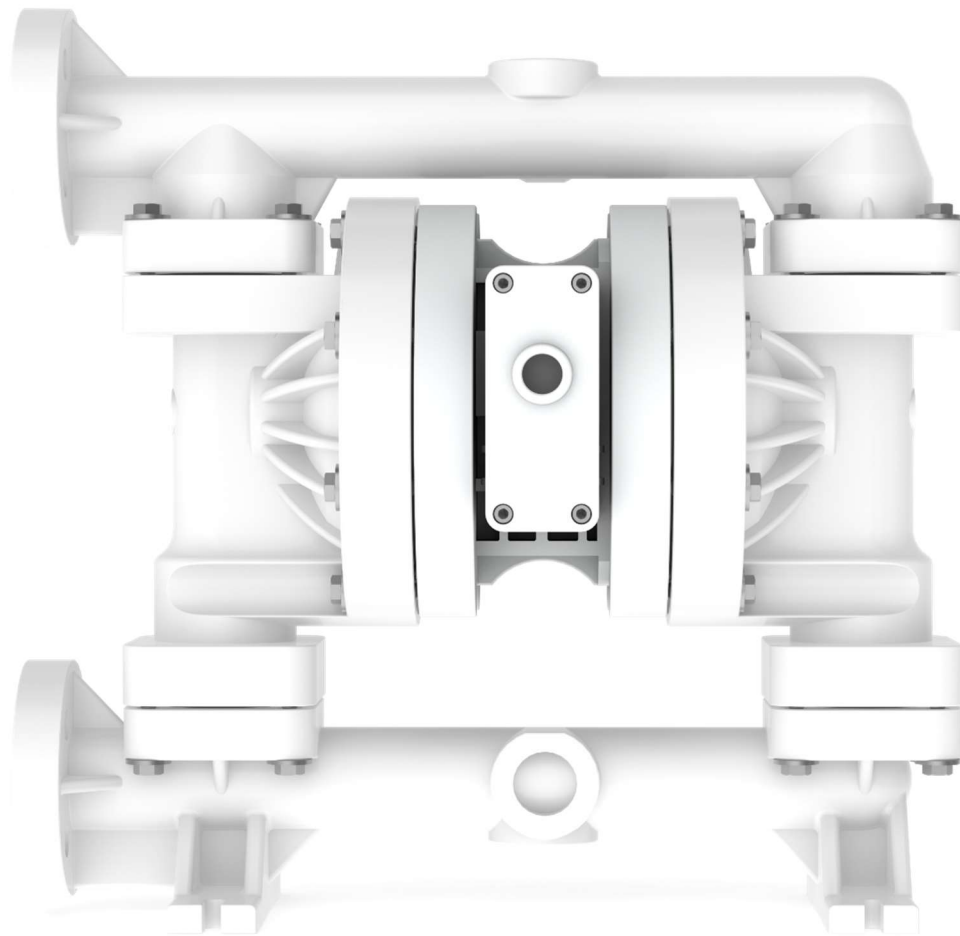


**AIR OPERATED
DOUBLE
DIAPHRAGM
PUMPS**



ISO 9001: 2008
ISO 14001: 2004

pricepumps.co.in



1" POLYPROPYLENE PUMP AOD 250 PFF PKGP/SAN/TF/P/S

pricepumps.co.in



AIR OPERATED DOUBLE DIAPHRAGM PUMPS



ISO 9001: 2008
ISO 14001: 2004

pricepumps.co.in

SECTION 1- LEGEND

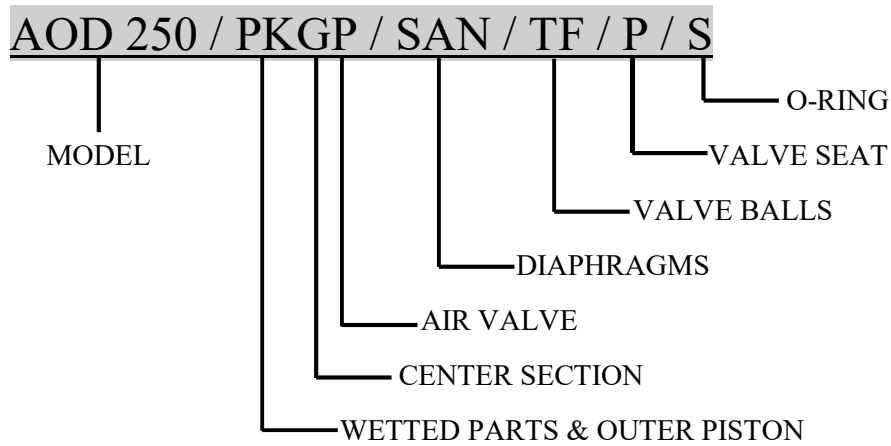
1" POLYPROPYLENE PUMP

AOD 250/PKGP/SAN/TF/P/S

MODEL: AOD 250 PFF POLYPROPYLENE

25mm (1") Pump

Maximum Flow Rate: 220 lpm (58 gpm)



MATERIAL CODES

MODEL
AOD 250 = 1" PUMP

AIR VALVE
P = POLYPROPYLENE

VALVE BALL
TF = TEFLON

WETTED PARTS & OUTER PISTON
PK = POLYPROPYLENE/
PVDF

DIAPHRAGMS
SAN = SANTOPRENE

VALVE SEAT
P = POLYPROPYLENE

CENTER SECTION
G = GLASS FILLED
POLYPROPYLENE

VALVE SEAT O-RING
S = SANTOPRENE



AIR OPERATED DOUBLE DIAPHRAGM PUMPS



ISO 9001: 2008
ISO 14001: 2004

pricepumps.co.in

SECTION 2 – SPARE PART LIST

1" POLYPROPYLENE PUMP

AOD 250/PKGP/SAN/TF/P/S

SR No.	DISCRIPTION	PART No	QTY
1	LIQUID CHAMBER	25-1003-20	2
2	SUCTION MANIFOLD	25-1021-20	1
3	DISCHARGE MANIFOLD	25-1031-20	1
4	NRV BALL	25-1041-55	4
5	MANIFOLD O RING	25-3101-58	4
6	SEAT O RING	25-3111-58	4
7	BALL SEAT	25-1062-20	4
8	HOLDING PLATE	25-1111-01	2
9	LOCK NUT	25-1132-21	2
10	DIAPHRAGM	25-2041-58	2
11	BACK UP DIAPHRAGM	N/A	-
12	CENTER BLOCK	25-1301-23	1
13	REDUCER	15-1376-21	1
14	CENTER BLOCK O RING	25-3151-53	2
15	MAIN SHAFT	25-1341-03	1
16	PILOT SHAFT	30-1451-03	1
17	PILOT BUSH	30-1471-07	1
18	PILOT SHAFT O RING	15-3176-56	4
19	PILOT BUSH O RING	15-3161-51	4
20	PILOT SHAFT LOCK O RING	40-3181-51	2
21	PILOT BUSH CIRCLIP	15-1496-61	2
22	PISTON BLOCK PP	15-1501-20	1
23	PISTON	15-1521-69	1
24	PISTON O RING BIG	15-3201-51	1
25	PISTON O RING SMALL	15-3221-51	5



AIR OPERATED DOUBLE DIAPHRAGM PUMPS



ISO 9001: 2008
ISO 14001: 2004

pricepumps.co.in

SECTION 2 – SPARE PART LIST (CONTINUED...)

1” POLYPROPYLENE PUMP

AOD 250/PKGP/SAN/TF/P/S

SR No.	DISCRIPTION	PART No	QTY
26	PISTON RING BIG	15-3241-68	1
27	PISTON RING SMALL	15-3246-68	5
28	PISTON BLOCK CAP	15-1571-20	1
29	PISTON BLOCK CAP O RING	15-3266-51	1
30	PISTON BLOCK COVER	15-1561-20	1
31	PISTON BLOCK GASKET	15-3321-51	1
32	PISTON BLOCK COVER GASKET	15-3331-51	1
33	EXHAUST	15-1366-23	1
34	AIR NIPPLE	15-1371-07	1
35	5/16" X 2" HEX BOLTS SS (CHAMBER BOLTS BIG)	04-6032-03	16
36	5/16" X 1½" HEX BOLTS SS (SUC/DIS)	04-6029-03	16
37	5/16 X 20 X 2 MM SS WASHER	04-6216-03	32
38	¼" X 3" ALLEN BOLTS MS (PISTON BLOCK)	04-6003-61	4



AIR OPERATED DOUBLE DIAPHRAGM PUMPS



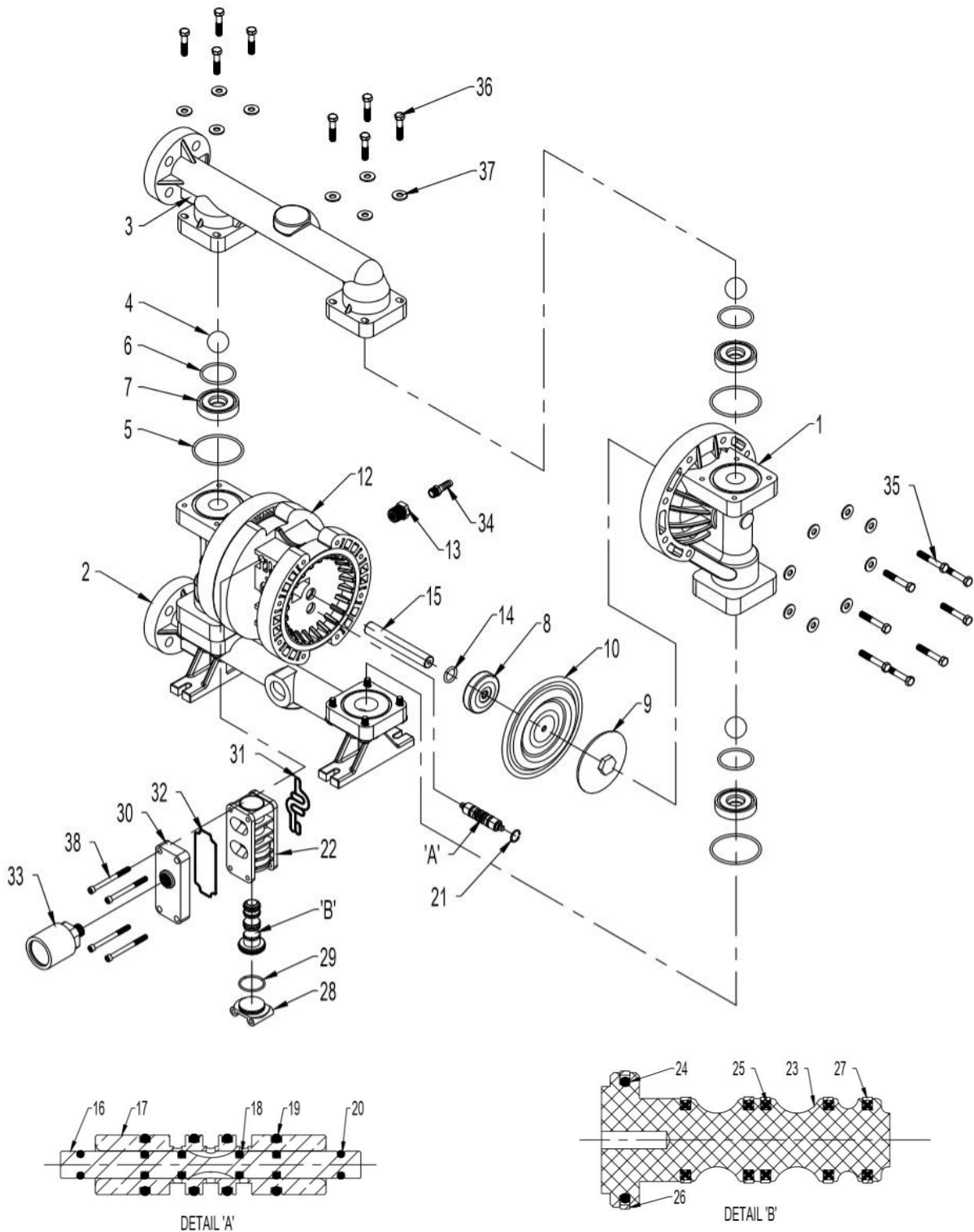
ISO 9001: 2008
ISO 14001: 2004

pricepumps.co.in

SECTION 3 – EXPLODED VIEW

1" POLYPROPYLENE PUMP

AOD 250/PKGP/SAN/TF/P/S





AIR OPERATED DOUBLE DIAPHRAGM PUMPS



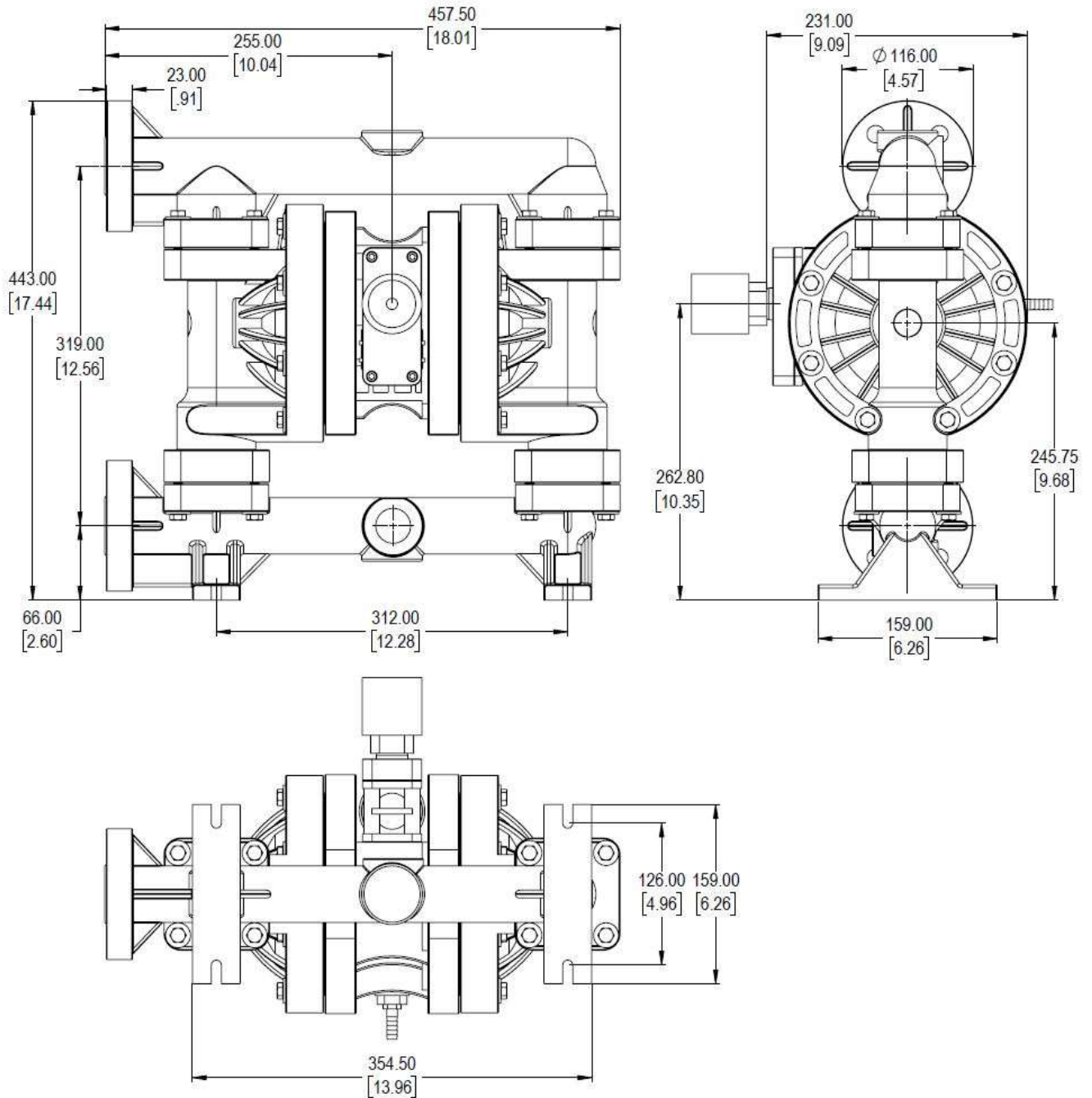
ISO 9001: 2008
ISO 14001: 2004

pricepumps.co.in

SECTION 4 – DIMENSIONAL DRAWING

1" POLYPROPYLENE PUMP

AOD 250/PKGP/SAN/TF/P/S





AIR OPERATED DOUBLE DIAPHRAGM PUMPS



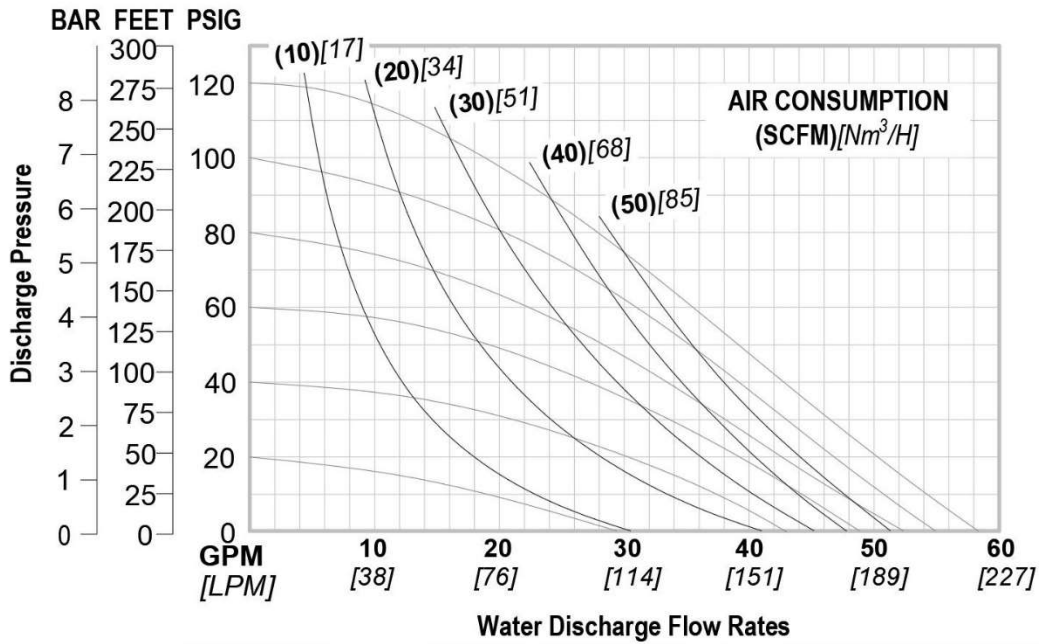
ISO 9001: 2008
ISO 14001: 2004

pricepumps.co.in

SECTION 5 – SPECIFICATION & PERFORMANCE

1" POLYPROPYLENE PUMP

AOD 250/PKGP/SAN/TF/P/S



SPECIFICATIONS:

MAX FLOW RATE:	220 lpm (58 gpm)
MAX AIR PRESSURE:	120 psi (8.3 bar)
AIR INLET:	6 mm (1/4" BSP)
PORT INLET:	25 mm (1" BSP)
DISCHARGE:	25 mm (1" BSP)
SUCTION LIFT: DRY:	3.6 m (11.9')
WET:	9.1 m (30.0')
MAX PARTICLE SIZE:	(Dia) 4.76mm (3/16")
AIR EXHAUST:	13 mm (1/2" BSP)

SHIPPING DIMENSIONS:

HEIGHT:	480 mm (18.9")
WIDTH:	270 mm (10.6")
LENGTH:	490 mm (19.3")
WEIGHT:	13 Kgs

Price Pumps meet ISO 9001-2015, ISO 14001 & CE quality standards.



**AIR OPERATED
DOUBLE
DIAPHRAGM
PUMPS**



ISO 9001: 2008
ISO 14001: 2004

pricepumps.co.in

NOTES: